



TRUCK MOUNTED LOADERS

1700 HD
2100 XL

Xploder



Our ladder offers more security



EXceptional Quality

EXpertly Designed

EXplosive Lift

EXactly what you need!

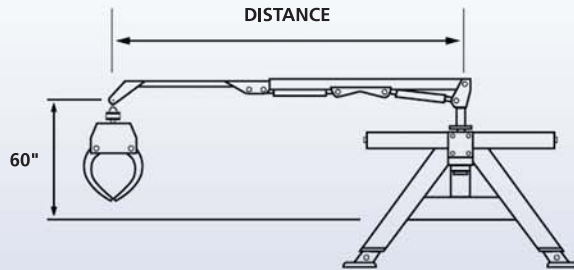
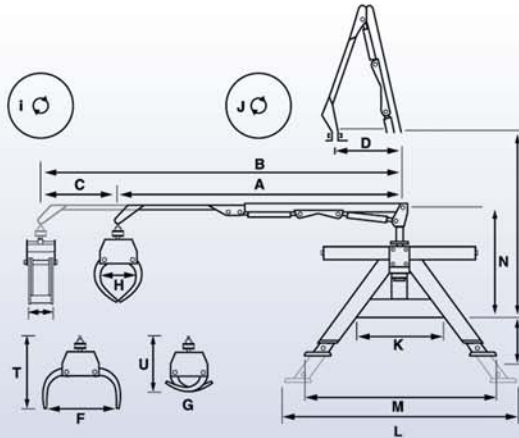
WE BUILD RIGHT the first time... so you BUY RIGHT the first time!



TRUCK MOUNTED LOADERS

SPECIFICATIONS

DESCRIPTION	1700 HD	2100 XL	XPLoader
A - Length of boom	17'	17'	18'
B - Length of telescopic boom	-	20' 8"	-
C - Extension	-	3' 8"	-
D - Minimum reach	47"	47"	66"
E - Grapple	50 inch	50 inch	50 inch
F - Maximum opening of grapple	50"	50"	50"
G - Maximum closure of grapple	5"	5"	5"
H - Grapple capacity	23"	23"	23"
I - Grapple rotation	continuous	continuous	continuous
J - Rotation of mast	375°	375°	400°
K - Width of base	56"	56"	56"
L - Width of stabilizers	117"	117"	117"
M - Width of stabilizers retracted	87.5"	87.5"	87.5"
N - Height of mast	81"	81"	81"
1 - Rotation cylinder	3"	3"	3"
2 - Stabilizer cylinder	2"	2"	2"
3 - Boom cylinder	4"	4"	4"
4 - Front boom cylinder	3 1/2"	3 1/2"	3 1/2"
5 - Grapple cylinder	3 1/2"	3 1/2"	3 1/2"
6 - Lift capacities at full reach	1 165 lbs	870 lbs	2 225 lbs
Lift capacities with telescopic boom	-	708 lbs	-
7 - Lift capacities at 60" : 15'	1 290 lbs	1 190 lbs	2 685 lbs
12'	1 685 lbs	1 575 lbs	3 455 lbs
8'	2 625 lbs	2 475 lbs	5 885 lbs
Minimum reach	3 750 lbs	3 500 lbs	-
8 - Grapple weight including rotator	320 lbs	320 lbs	345 lbs
9 - Total weight of loader	2 550 lbs	2 750 lbs	3 120 lbs
10 - Recommended hydraulic pressure	2 500 PSI	2 500 PSI	2 700 PSI
11 - Recommended GPM	**5-8 gpm	**5-8 gpm	**6-9 gpm
12 - Manual valve	X	X	X
13 - Rotator capacity	4 410 lbs	4 410 lbs	6 600 lbs



Loaders available on the BIG OX and LIL OX trailers



BLUE OX
EQUIPMENT
www.blueoxequipment.com

510 Morey Road, Sutton VT 05867
802.467.1055
info@blueoxequipment.com

DEALERSHIP